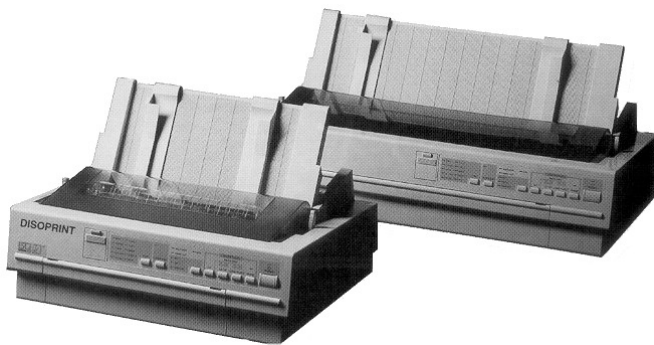


DISOPRINT 332/431 Printers



- Designed for cut sheets and endless paper
- Legal-for-trade recording of weight values and weigh data
- Use in industrial operations, commercial enterprises or in the service sector

Application

- DISOPRINT printers are used for recording of weight values and relevant weigh data.
- DISOPRINT 332 and DISOPRINT 431 are used in legal-for-trade weighing applications.

Equipment

- Dot matrix printer
- Ribbon cartridge with textile tape
- Paper feed via friction drive or tractor
- Form feeder for cut sheets and form sets

Functions

- Printing of edge-punched endless paper and cut sheets
- Various fonts and characters widths
- Bar code capable

Technical Data

	DISOPRINT 332 S (C)	DISOPRINT 431
Number of dots	24	24
Print width at 10 cpi	80 columns	136 columns
Paper format width	76 – 254 mm	101 – 406 mm (cut sheet: 100 – 420 mm)
Paper format length	76 – 364 mm	100 – 420 mm (endless paper up to 558)
Print area	max. 203 mm	max. 345 mm
Paper strength	60 – 120 g/m ²	0.065 – 0.46 mm (depending on paper type)
Paper feeder	Single sheet supply manually from the front Push tractor for endless paper	
Copies	3	5
Print speed	up to 400 characters / s	up to 400 characters / s
Memory	64 kB	64 kB
Interface	Serial (Centronics)	Serial
Supply voltage	198 – 264 VAC, 49.5 – 60.5 Hz	
Power consumption	55 W	52W
Dimensions w x d x h (without options)	483 x 245 x 200 mm	639 x 402 x 268
Weight	11 kg	13 kg
Noise level	53 dB(A)	54 dB(A)

Equipment	Ordering Number
DISOPRINT 332 C, matrix printer with parallel interface	V 043190.B01
DISOPRINT 332 S local printer with serial interface	V 043191.B01
Cut sheet infeed for DISOPRINT 332	V 043189.B01
DISOPRINT 340 F3 remote printer with serial interface	V 002 314.B01
Add-on pull tractor for DISOPRINT 340	V 002 315.B01
50-sheet cut sheet infeed for DISOPRINT 340	E 056 529.01
150-sheet cut sheet infeed for DISOPRINT 340	E 056 529.02
DISOPRINT 431C matrix printer with parallel interface	D 713 194.02
DISOPRINT 431 local printer with serial interface	D 713 194.03
Add-on pull tractor for DISOPRINT 431	E 909 164.05
50-sheet cut sheet infeed for DISOPRINT 431	E 909 164.06
150-sheet cut sheet infeed for DISOPRINT 431	E 909 164.07

DISOPRINT VPR 20150 Flat Bed Printer and DISOPRINT 10



DISOPRINT
VPR 20150

DISOPRINT 10



- Printing of cut sheets and weigh cards
- Easy and convenient insertion of forms through print table open on three sides
- Compact and rugged design for industrial use

Application

DISOPRINT VPR 20150 Flat Bed Printer and DISOPRINT 10 are designed especially for printing of cut sheets, form sets and weigh cards.

They are approved as printers for legal-for-trade scales, with DISOPRINT 10 being used as local and remote printer and DISOPRINT VPR 20150 as local printer.

Equipment

Printer parameters are set menu-controlled via function keys. One ribbon cassette is supplied.

Function

Paper infeed is automatic, with forward/reverse retention. Characters can be represented both horizontally and vertically. To enable left area of wide form sets to be printed, print pattern can be turned by 180°. Line feed is automatic.

Technical Data

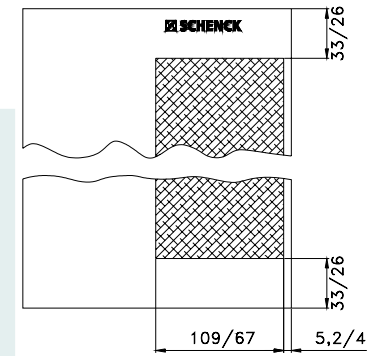
	DISOPRINT 10	DISOPRINT VPR 20150
Print Speed:	2.6 lines/s	2.1 lines/s
Line spacing:	settable	settable
Characters height:	settable	settable
Number of characters:	54 char/line; normal PICA 65 char/line; compressed 27 char/line; elongated	35 char/line; normal PICA 42 char/line; compressed 27 char/line; elongated
Copies:	1 original, 4 copies, Paper thickness: 0.05 - 0.45 mm	1 original, 2 copies, Paper thickness: 0.09 - 0.35 mm
Paper Specification: Form size:	min: h = 80 mm x w = 70 mm max: unlimited; print area open to sides and to rear	min: h = 80 mm x w = 70 mm max: 182 mm x 257 mm
Page feed:	forward and reverse	forward and reverse
Interfaces:	RS 232 C/V24 and Centronics Option: 20 mA or RS 422	RS 232 C/V24 and Centronics
Power supply:	230 VAC ± 10 % - 15 % 50 Hz ± 1 Hz Option: 24 VDC (9-35 V)	230 VAC ± 10 %
Consumption:	60 VA	15 VA
Operating temperature:	0°C to +40°C	+5°C to +40°C
Storage temperature:	-10°C to +50°C	-10°C to +50°C
Dimensions w x h x d:	250 x 160 x 280 mm	180 x 101.5 x 190.5 mm
Weight:	6 kg	1,6 kg
Print area:	width: 109 mm, length: variable	width: 67 mm, length: variable

Variant	Order Number
DISOPRINT 10 Flat bed printer with matrix print head for printing cut sheets complete with 230 VAC power supply	3961.006
DISOPRINT 10 Flat bed printer with matrix print head for printing cut sheets complete with 24 VDC power supply	E 056 954.01
DISOPRINT VPR 20150 Flat bed printer with matrix print head for printing cut sheets complete with 24 VDC power supply	D 713 193.01

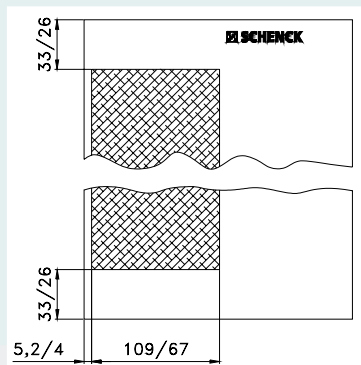
Option	Order Number
Power supply for DISOPRINT VPR 20150 230 VAC	3691.918

Printed Area:

DISOPRINT 10 /
DISOPRINT VPR 20150



DISOPRINT 10 /
DISOPRINT VPR 20150



DISOPRINT VPR 20150
Sample Print

17.09.01 09:08 33
<2252kg> Net
Signature: