

## Pendulum Mount VPN for Compact Ring-Torsion Load Cell RTN



- Mount for compact load cells RTN
- Suitable for highest accuracies
- Legal-for-trade
- Extremely rugged (stainless steel)
- Self-aligning
- Easy installation, maintenancefree

### Application

Pendulum mounts VPN are specially designed for use with compact load cells of the RTN type.

They are used where long life and highest measuring accuracy are required in severe environments.

Typical applications are load weight-briges and hopper scales.

### Construction

A complete VPN self-aligning mount consists of the pendulum contact plate, a pressure plate, the centering piece and height adjustments shims.

The load cell can be mounted on supporting structures or on an optional foot plate.

On rough ground, the foot plate provides optimum mounting surface.

### Functions

The weight force to be measured is applied to the pendulum contact plate via the pressure plate down to the load cell.

The pendulum contact plate protects the load cell from interfering lateral forces.

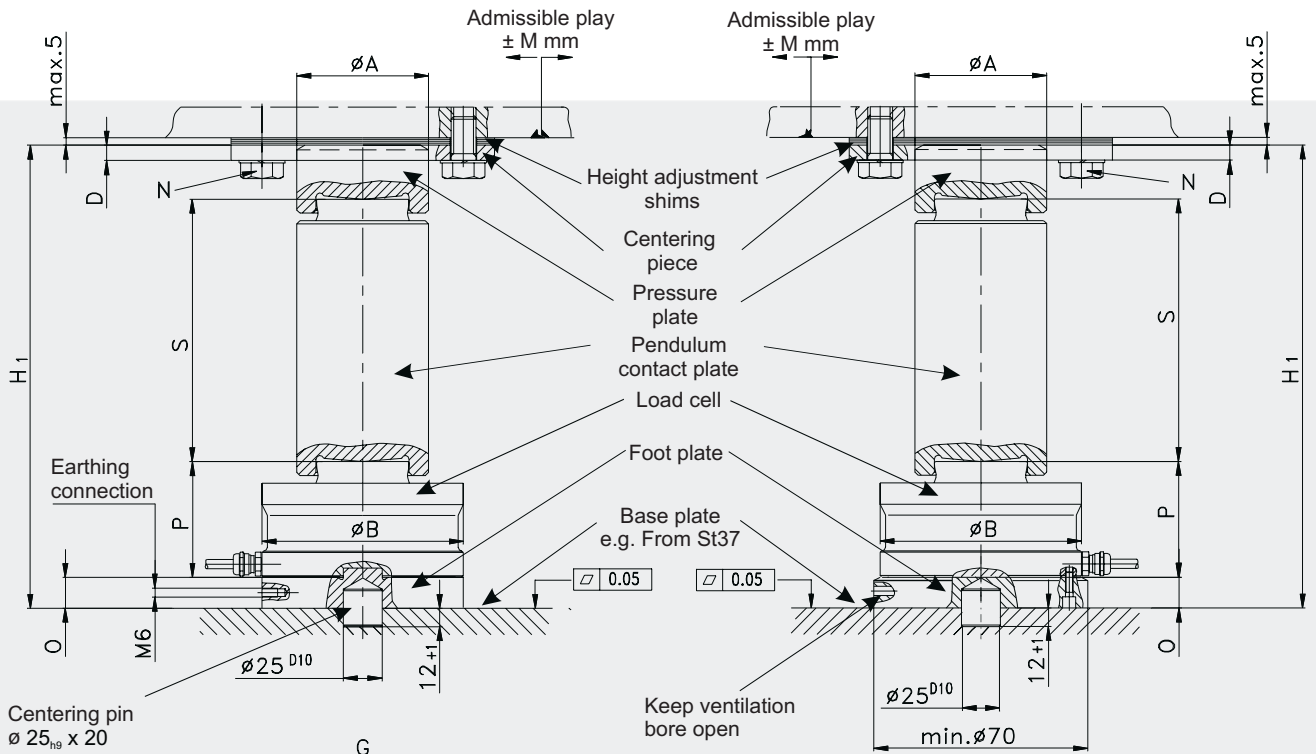
The self-aligning function of this mount automatically returns the scale to its resting position after deflection.

Depending on the local situation, the scale has to be equipped with movement limit stops.

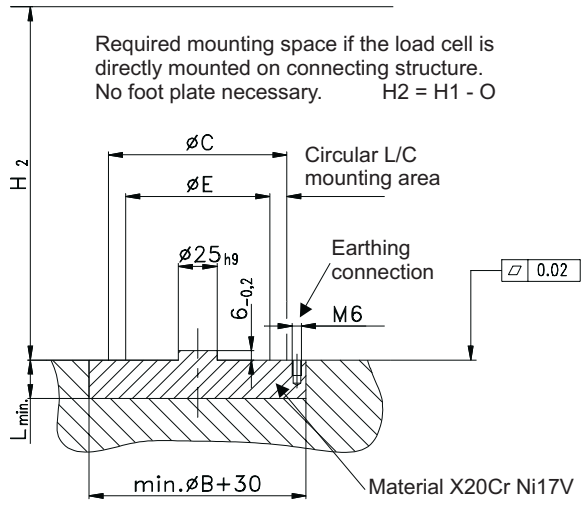
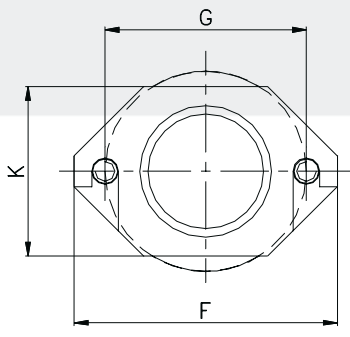
## Dimensions

VPN 10 – 100t

VPN 1 – 4,7t



Centering pin  
 $\varnothing 25_{h9} \times 20$



- Pressure plate is secured through a centering piece screwed onto the connecting structure.
- Height is adjusted (max. 5 mm) with shims.
- Load cell is centered via a pin ( $\varnothing 25$  mm)
- Optional foot plate is centered via a pin ( $\varnothing 25$  mm, included in the delivery).
- Earthing connection is to be provided on connecting structure base plate see installation drawing).

## Dimensions

Type VPN	Rated Capacity [t]	Dimensions [mm]															
		A	B	C	D	E	F	G	H1	H2	K	L	M	N	O	P	S
1	1	35	60		4		90	68	128		60		3.5	M8x20	15	43	56
2.2	2.2	35	60		4		90	68	128		60		3.5	M8x20	15	43	56
4.7	4.7	35	60		4		90	68	145		60		3.5	M8x20	15	43	73
10	10	45	75	80	4	62	90	68	165	145	60	20	3.5	M10x20	20	50	76
15	15	45	75	80	4	62	90	68	175	155	60	20	4	M10x20	20	50	86
22	22	45	75	80	4	62	90	68	229	209	60	20	7	M10x25	20	50	140
33	33	58	95	100	6	78	120	90	272	252	80	25	7	M12x25	20	65	160
47	47	85	130	140	10	110	170	130	295	270	110	35	6	M16x30	25	75	160
68	68	85	130	140	10	110	170	130	337	300	110	40	7	M16x30	37	85	180
100	100	100	150	160	10	129	180	140	371	331	130	45	8	M16x30	40	90	200

## Technical Data

Rated capacity	Weight with Load Cell	Weight of Foot Plate
1 t	1.1 kg	0.3 kg
2.2 t	1.1 kg	0.3 kg
4.7 t	1.4 kg	0.3 kg
10 t	2.5 kg	0.7 kg
15 t	2.7 kg	0.7 kg
22 t	3.7 kg	0.7 kg
33 t	6.3 kg	1.1 kg
47 t	14.0 kg	2.7 kg
68 t	15.4 kg	3.8 kg
100 t	22.3 kg	5.4 kg
Material	Stainless Steel	
Height adjustment	max. 5 mm	

## Variants

Variants	Order No. without Foot Plate	Order No. with Foot Plate
VPN 1	D 725565.16	D 725565.11
VPN 2.2	D 725565.17	D 725565.12
VPN 4.7	D 725565.18	D 725565.13
VPN 10	D 725565.19	D 725565.14
VPN 15	D 725565.20	D 725565.15
VPN 22	D 725565.06	D 725565.01
VPN 33	D 725565.07	D 725565.02
VPN 47	D 725565.08	D 725565.03
VPN 68	D 725565.09	D 725565.04
VPN 100	D 725565.10	D 725565.05

Load Cells are not included.